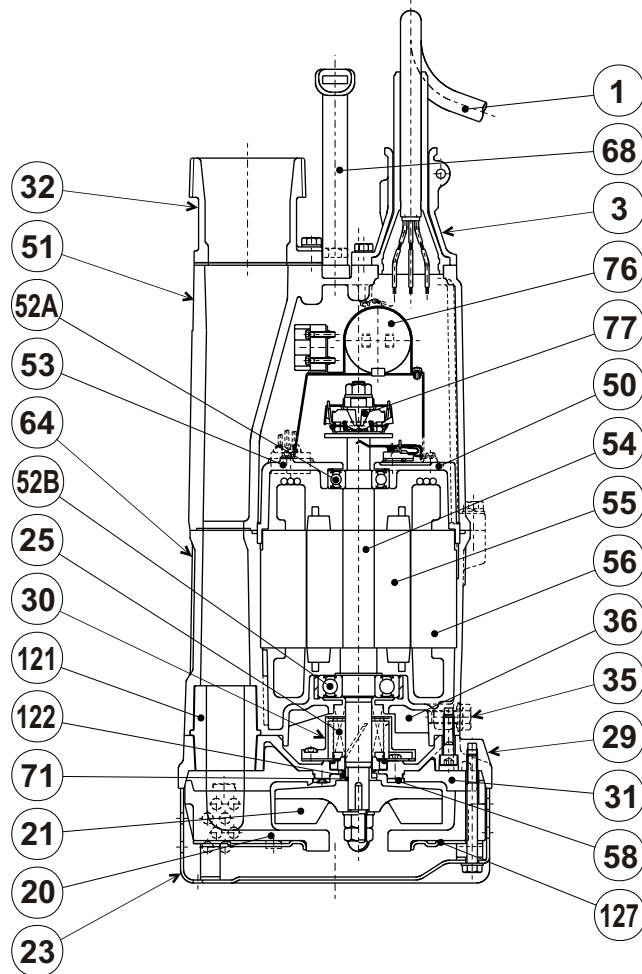


NK2-15


| ITEM# | DESCRIPTION | MAIN MATERIAL / NOTE | RELATED ASTM, AISI CODE | RELATED EN CODE | Q'TY |
|-------|----------------------|------------------------------------|-------------------------|-------------------|------|
| 1 | Power Cable | Chloroprene Sheath AWG12/3-32ft | | | 1 |
| 3 | Stuffing Box | Aluminium Alloy Die Casting | B85 383.0 | EN 1706 AC-46100 | 1 |
| 20 | Pump Casing | Butadiene Rubber + Natural Rubber | | | 1 |
| 21 | Impeller | Ductile Cast Iron | A536 100-70-03 | EN 1563 GJS-700-2 | 1 |
| 23 | Suction Strainer | Steel (Cold Rolled) | A109/A1008 | EN 10130 | 1 |
| 25 | Mechanical Seal | Silicon Carbide / H-20T | | | 1 |
| 30 | Oil Lifter | PBT Plastic w/(GF+MD)40 | | | 1 |
| 29 | Oil Casing | Aluminium Alloy Die Casting | B85 383.0 | EN 1706 AC-46100 | 1 |
| 31 | Wear Ring | Butadiene Rubber | | | 1 |
| 32 | Discharge Connection | Cast Iron / NPT 3" | A48M Class30B | EN 1561 GJL-200 | 1 |
| 35 | Oil Plug | Stainless Steel | S 30400 | 1.4301 | 1 |
| 36 | Lubricant | Turbine Oil ISO VG32 or SAE 10W-20 | | | |
| 50 | Motor Bracket | Aluminium Alloy Die Casting | B85 383.0 | EN 1706 AC-46100 | 1 |
| 51 | Motor Head Cover | Aluminium Alloy Die Casting | B85 383.0 | EN 1706 AC-46100 | 1 |
| 52A | Upper Bearing | #6204ZZC3 | | | 1 |
| 52B | Lower Bearing | #6305ZZC3 | | | 1 |
| 53 | Motor Protector | | | | 1 |
| 54 | Shaft | Stainless Steel | S 40300 | 1.4000 | 1 |
| 55 | Rotor | | | | 1 |
| 56 | Stator | | | | 1 |
| 58 | Protection Plate | | | | 1 |
| 64 | Motor Housing | Aluminium Alloy Die Casting | B85 383.0 | EN 1706 AC-46100 | 1 |
| 68 | Handle | Steel (Cold Rolled) + NBR Rubber | A109/A1008 | EN 10130 | 1 |
| 71 | Shaft Sleeve | Stainless Steel | S 30400 | 1.4301 | 1 |
| 76 | Capacitor | | | | 1 |
| 77 | Centrifugal Switch | | | | 1 |
| 121 | Duct Sleeve | Styrene Butadiene Rubber | | | 1 |
| 122 | V-Ring | Nitrile Butadiene Rubber | | | 1 |
| 127 | Fixing Plate | Steel (Cold Rolled) | A109/A1008 | EN 10130 | 1 |